



STEEL COREA K. A.
DAZALLA

-  Cutter Blades
-  Pruning Shears & Multipurpose Scissors
-  Pruning Saws
-  Steel Cutting Rules & Industrial Knives
-  Cold Rolled Steel & Heat-treated Coil

Steel Corea K. A. Co., Ltd. was established in 2003.

We have supplied steel and metal raw materials such as cold rolled steel, carbon steel, high carbon tool steel and stainless steel necessary for automobile parts, Components for semiconductors and electronics, parts for precision machine and shipbuilding, special cutlery and tools for makers.

Also we have been producing various kinds of cutter blades in our own factory and have exported them with our own brand **DAZALLA** as well as on OEM base to overseas markets.

We have subcontracted several makers for gardening and farming tools such as saws and pruning shears and have exported them, too.

We are ready for exporting the above products with good quality at reasonable prices. Please do not hesitate to contact us anytime if you are interested in them.

Sincerely yours,
Kim Dong Hwan

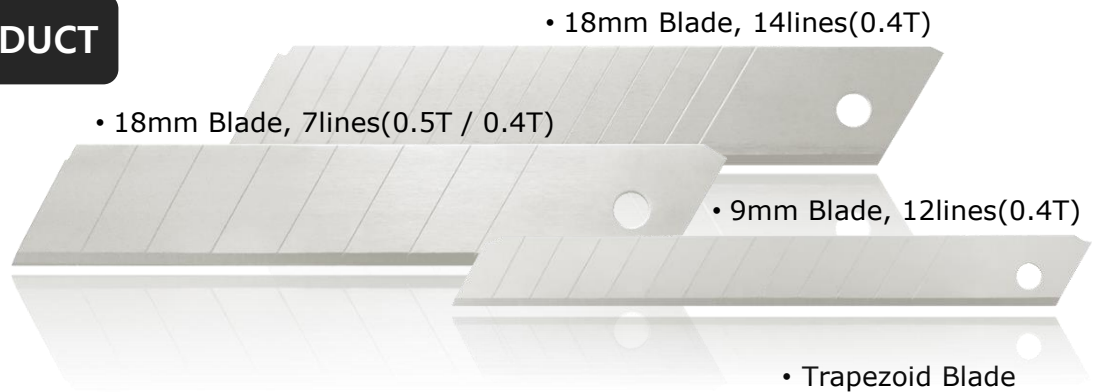
기 동 환

HISTORY

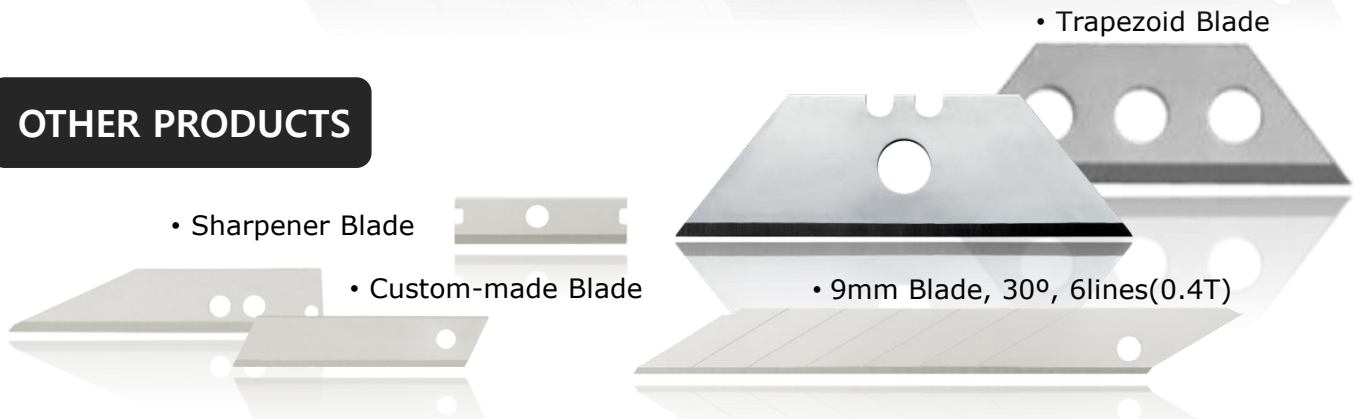
- 2003. 10. Established Steel Corea Co., Ltd.
- 2007. 09 Started exporting cutter blades and gardening tools
- 2015. 12. Awarded 1 million dollar prize on 52nd Trade Day
- 2016. 05. DAZALLA brand registered in Japan
- 2016. 07. DAZALLA brand registered in Korea
- 2017. 07. Launched 'DAZALLA' pruning saws
- 2018. 01. Launched 'DAZALLA' cutter blades
- 2018. 06. New factory and office completed
- 2018. 07. Changed company name to Steel Corea K. A. Co., Ltd.
- 2018. 12. Awarded 3 million dollar prize on 55th Trade Day

DAZALLA BLADE ALL THE BLADES THAT YOU NEED.

★ MAIN PRODUCT



OTHER PRODUCTS



Product	<ul style="list-style-type: none"> • Snap-off cutter blades • Blades for utility knife • Breakaway blades for a box cutter
Application	<ul style="list-style-type: none"> • Hand tool : cutting, peeling, slitting, trimming, farming, carpet manufacturing • Stationery : school & office supplies
Steel Materials	<ul style="list-style-type: none"> • High carbon tool steel : SK2Cr4 / SK3 / SK5 • Stainless steel : SUS420J2
Dimension (mm)	<ul style="list-style-type: none"> • Small size : 0.35*9*80 / 0.4*9*80 / 0.4*9*72, 30° • Large size : 0.4*18*100 / 0.5*18*100 / 0.6*18*100 • Special size : 0.6*19*61(Trapezoid blade) / 0.6*6.3*23(Sharpener blade) • Custom-made blade : Depends on drawings
Lines	No lines / 6lines / 7lines / 12lines / 14lines
Packing type	Tube packing / Bulk packing
Packing unit	<ul style="list-style-type: none"> • Small size : 10PCS/TB, 10TBS/IB, 100IBS/CTN, 10,000PCS/CTN • Large size : 10PCS/TB, 10TBS/IB, 40IBS/CTN, 4,000PCS/CTN
Brand & Logo	<ul style="list-style-type: none"> • DAZALLA • OEM brand
Origin	Made in Korea



40-2015-0074297[KR] 商願 2015-102631[JJP]

Steel Corea **K. A. Co., Ltd.**

31-13, Jeongoksandan 11-gil, Seosin-myeon, Hwaseong-si, Gyeonggi-do, 18554 Republic of Korea
 Tel : +82 32 822 5545~7 / Fax : +82 32 822 5548
 Email : twkim@steel-corea.com / steelcorea@steel-corea.com
 Skype : live:twkim_49 / WhatsApp : +82-10-9159-8884

DAZALLA GARDEN TOOLS

★ MAIN PRODUCT

Pruning shears S880



BLADE

Material : High carbon tool steel (SK-5)
Features : Excellent corrosion resistance & abrasion resistance,
Electroless Nickel plating,
Good finish & long-term durability

AUTO LOCK

Material : Stainless steel,
Features : Easily opened & locked
Minimizing work time & Doubling work capacity.

LOGO BOLT

Material : SWRCH, Steel wire
Features : Black plating,
Special bolt for preventing loosening

HANDLE

Features : Lightweight and
durable Aluminum die-casting handle

COIL SPRING

Material : Stainless Steel
Features : 1 million times input test,
Ideal compression retention

GRIP

Features : Soft & good feeling rubber grip
Despite long working hours, Less fatigue.

OTHER PRODUCTS



Multi-purpose Scissors P300



Pruning Shears S250



Multi-purpose Scissors P800



Hedge Shears K5000



Lopping Shears K630



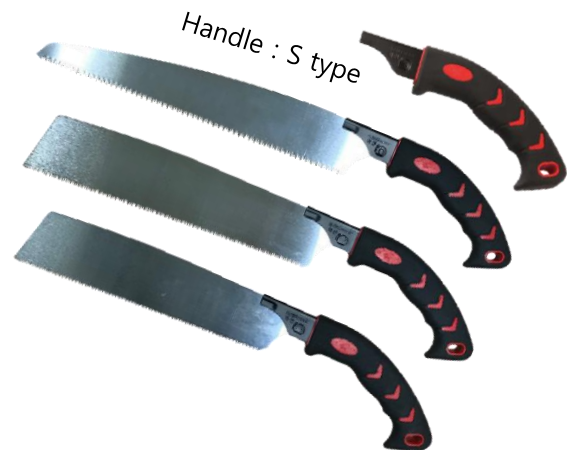
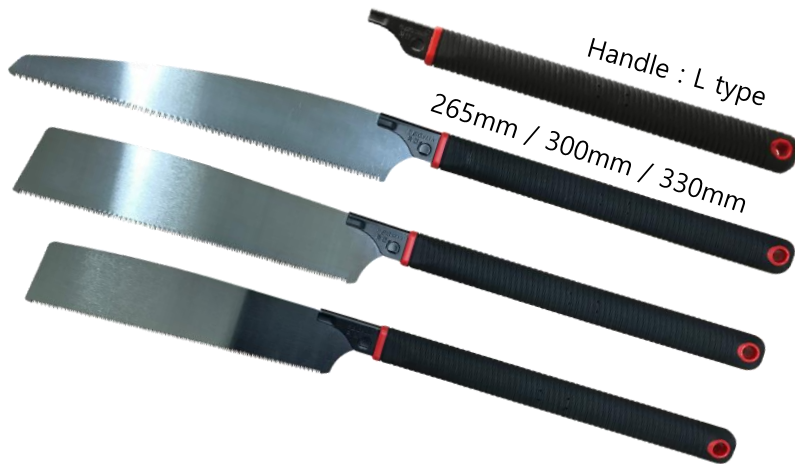
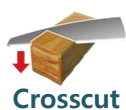
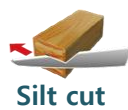
40-2015-0074297[KR] 商願 2015-102631[JP]

Steel Corea K. A. Co., Ltd.

31-13, Jeongoksandan 11-gil, Seosin-myeon, Hwaseong-si,
Gyeonggi-do, 18554 Republic of Korea
Tel : +82 32 822 5545~7 / Fax : +82 32 822 5548
Email : twkim@steel-corea.com / steelcorea@steel-corea.com
Skype : live:twkim_49 / WhatsApp : +82-10-9159-8884

DAZALLA GARDEN TOOLS

★ MAIN PRODUCT



OTHER PRODUCTS



Pruning



Wood Cutting



Gardening



Wood working



Curved, 330mm



Product	Pruning Saw
Dimension (mm)	Blade size : 300 / 330 / 350
Packing unit	10PCS/CTN
Brand & Logo	DAZALLA / OEM brand
Origin	Made in Korea
Steel Materials	High carbon tool steel : SK5



40-2015-0074297[KR] 商願 2015-102631[JP]

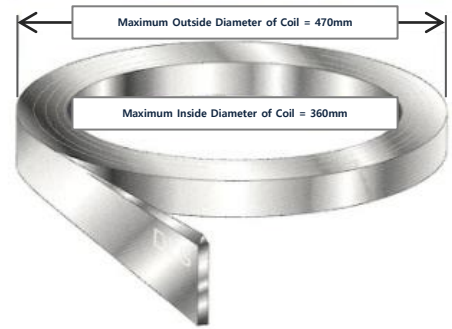
Steel Corea K. A. Co., Ltd.

31-13, Jeongoksandan 11-gil, Seosin-myeon, Hwaseong-si,
Gyeonggi-do, 18554 Republic of Korea
Tel : +82 32 822 5545~7 / Fax : +82 32 822 5548
Email : twkim@steel-corea.com / steelcorea@steel-corea.com
Skype : live:twkim_49 / WhatsApp : +82-10-9159-8884

DAZALLA STEEL CUTTING RULES

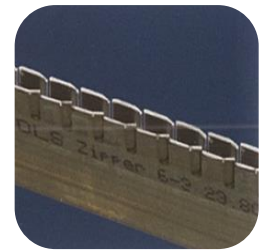
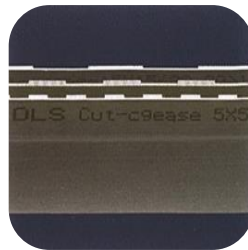
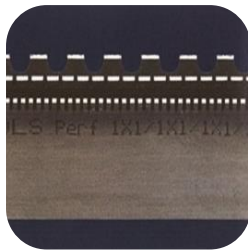
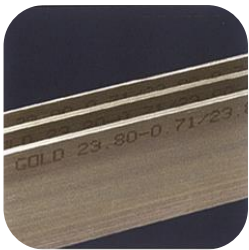
★ MAIN PRODUCT

- **CUTTING RULE FOR A MOLD**
: 2PT & 3PT, CB & LCB, 23.80 ~ 50.00MM, CW & ACW COIL
- **SPACING**
: 2PT & 3PT, 15.00MM ~ 55.00MM, CW & ACW COIL
- **CREASING RULE FOR A MOLD**
: 2PT & 3PT, 23.10MM ~ 23.60MM, CW & ACW COIL



OTHER PRODUCTS

- JIGSAW BLADE
- ROUND PUNCH
- ZIPPER RULES
- PERFORATING RULES
- WAVE RULES
- LABEL RULES
- PERFORATING LABEL RULES



DAZALLA INDUSTRIAL KNIVES

KNIFE FOR FOOD PACKAGING

VERTICAL KNIFE



KNIFE



KNIFE FOR FOOD MACHINERY

HOLE PLATE



PUNCH KNIFE



KNIFE



SLICER BLADE



KNIFE FOR FABRIC & NEWSPAPER

NEWSPAPER



FABRIC PILE



KNIFE FOR PAPERCONE & TEXTILE

PAPER TOWEL / CARDBOARD / TAPE / FILM / HOIL



40-2015-0074297[KR] 商願 2015-102631[JP]

Steel Core K. A. Co., Ltd.

31-13, Jeongoksandan 11-gil, Seosin-myeon, Hwaseong-si,
Gyeonggi-do, 18554 Republic of Korea
Tel : +82 32 822 5545~7 / Fax : +82 32 822 5548
Email : twkim@steel-corea.com / steelcorea@steel-corea.com
Skype : live:twkim_49 / WhatsApp : +82-10-9159-8884

MANUFACTURING PROCESS

1 Hot Rolled Coil (HR Coil)

2 Pickling Line

3 P/O Coil (Pickled & Oiled Coil)

4 Annealing Line

5 PA Coil (Pickled & Annealing Coil)

6 Cold Rolling Mill Line

7 CR Coil (Cold Rolled Coil)

8 Slitting

9 Packing & Shipment

10 Customer

APPLICATIONS FOR COLD ROLLED STEEL

Cold Rolled Steel

SPCC

· Machinery parts

SPCD

· Machinery parts

SPCE

· Machinery parts

Cold Rolled Steel

Carbon Steel

SK2M

· Razor blade
· Cutlery

SK3M

· Hack saws
· Cutlery
· Springs

SK4M

· Measuring tape
· Razor blade
· Pen points
· Wind-up springs
· Springs
· Cutlery
· Knitting needles

SK5M

· Measuring tape
· Cutlery
· Knitting needles
· Clutch parts
· Round saws
· Office-equipment parts

SK6M

· Washers
· Clutch parts
· Cutlery
· Springs

Carbon Steel

Carbon Tool Steel

S30CM

· Retainers

S35CM

· Office-equipment parts
· Friction plates

S45CM

· Clutch parts
· Chain parts
· Retainers
· Washers

S50CM

· Measuring tape
· Structural parts for cameras
· Chain parts
· Springs
· Clutch parts
· Washers
· Safety buckles

S55CM

· Springs
· Safety shoes
· Can openers
· Thompson blades
· Structural parts for cameras

S60CM

· Chain parts
· Hand saws for woodworking
· Safety shoes
· Springs
· Office-equipment parts
· Washers

S65CM

· Safety shoes
· Clutch parts
· Springs
· Washers

S70CM

· Washers
· Handsaws for woodworking
· Office-equipment parts
· Springs

S75CM

· Clutch parts
· Springs
· Washers

Carbon Tool Steel

SKS 5M

· Cutlery
· Round saws
· Band saws for woodworking & lumbering

SKS 51M

· Cutlery
· Round saws
· Band saws for woodworking & lumbering

SCM 415M

· Chain parts
· Thompson blades

SCM 435M

· Chain parts
· Office-equipment parts

SUP 9M

· Toy springs

SUP 10M

· Springs

Alloy Steel

Cr-Mo Steel

Spring Steel

Alloy Steel

Cr-Mo Steel

Spring Steel

Stainless Steel

Austenitic

· Trailer body
· Food, & chemical equipment
· Heat treated parts after welding
· Paper industry
· Baby food
· Oil refinery

Ferritic

· Quenching parts
· Building interior decoration
· Household appliances
· Exterior devices for auto
· Water heater

Martensitic

· General parts
· Blade
· Machinery parts
· Nozzle
· Valve
· Cutlery

Precipitation Hardening

· Machinery parts

Stainless Steel

Steel Corea K. A. Co., Ltd.

31-13, Jeongoksandan 11-gil, Seosin-myeon, Hwaseong-si,
Gyeonggi-do, 18554 Republic of Korea

Tel : +82 32 822 5545~7 / Fax : +82 32 822 5548

Email : twkim@steel-corea.com / steelcorea@steel-corea.com

Skype : live:twkim_49 / WhatsApp : +82-10-9159-8884